



STARTERS 3.45

Garlic Bread

Popcorn Chicken

Served with side salad and tomato ketchup

MAINS 6.95

Southern Fried Chicken Goujons

Served with chips and peas or beans

Cod Bites

Served with chips and peas or beans

Pasta Bolognese

Pasta in a rich Bolognese sauce served with chips

Beef Burger

Served with chips and peas or beans

DESSERTS 2.95

Ice Cream

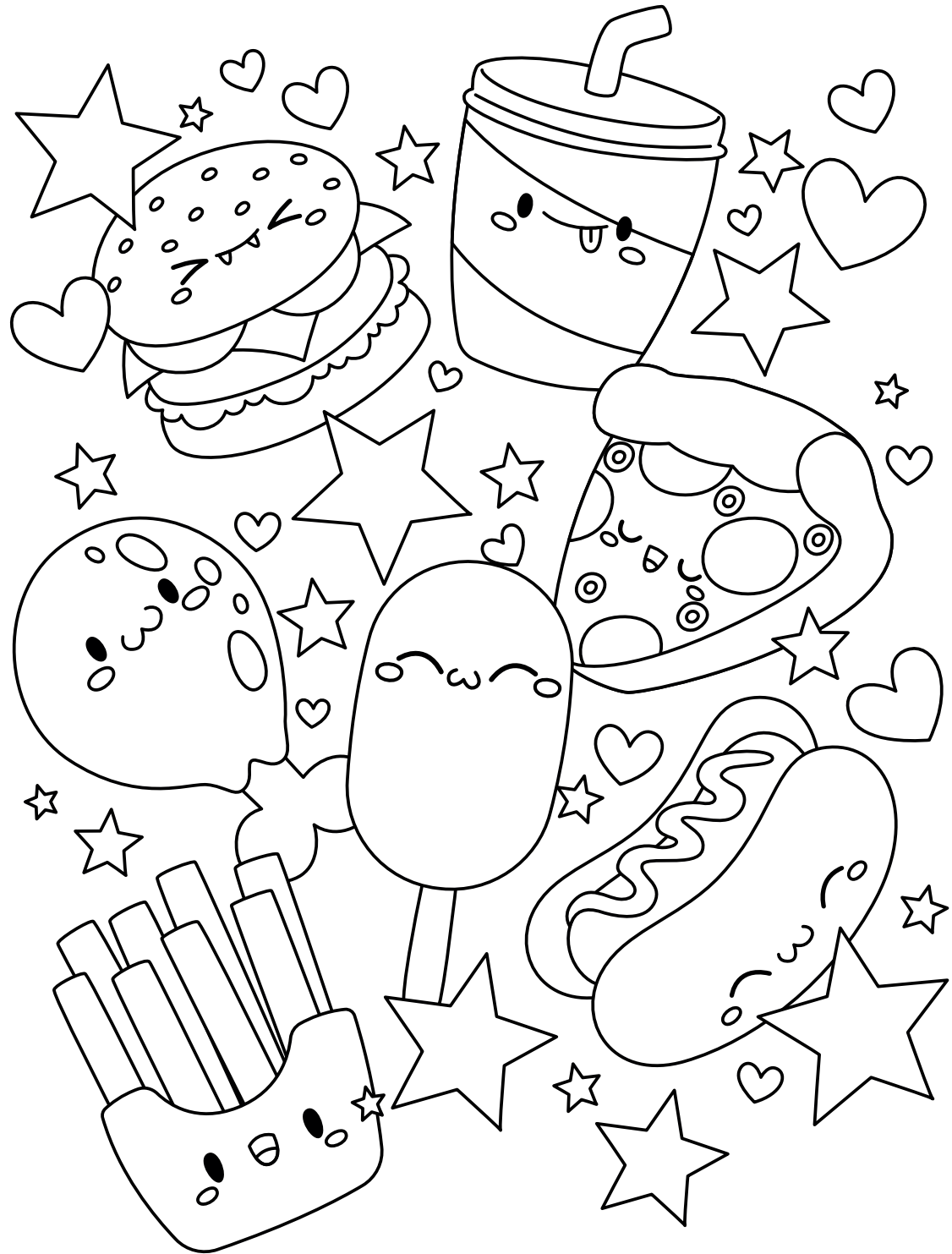
Two scoops of ice cream (choice of vanilla, chocolate or strawberry)

Jam Roly Poly

Served with Ice Cream

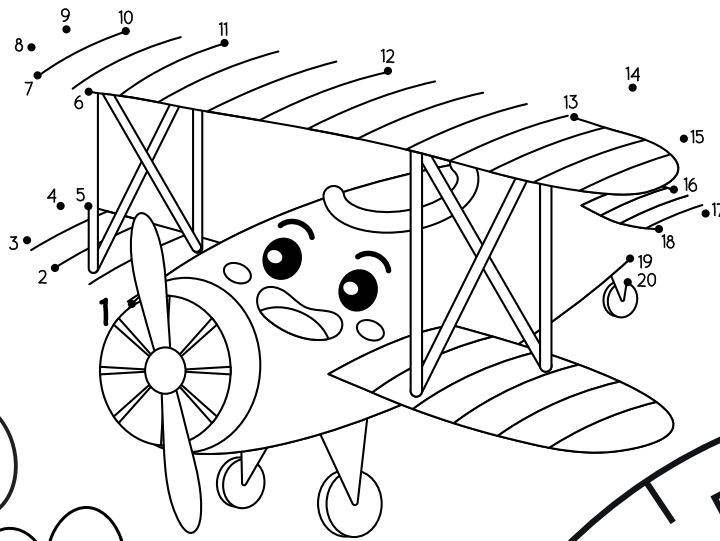
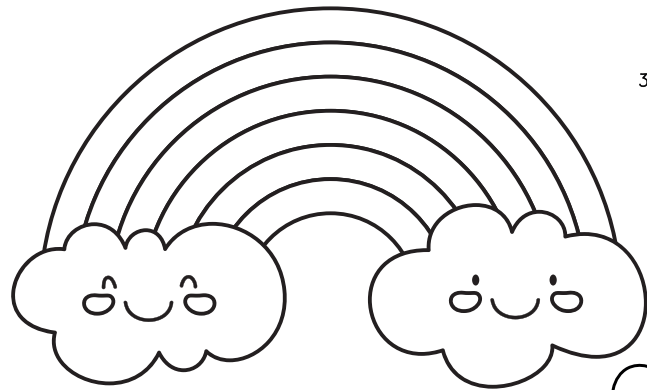
Pancakes

Served with ice cream and maple syrup



DOT TO DOT

Join the dots & colour me in!



MAZE PUZZLE

Guide the chef through the maze to his pizza!

